



# ACE-D

## BREWING FOR TALL THERMAL DISPENSERS

### ACE-D

Newco designed the ACE series of brewers to satisfy customer requests for a multi-feature specific brewer suited for the office environment. The series is quite versatile and continues to be our top selling line.

ACE models incorporate unique design features that include: a water level detection system that eliminates evaporation short pots, an adjustable brew safety light which flashes during the brew cycle to alert the user the brew cycle is in process, and a gravity hot water faucet system which dispenses hot water while brewing without altering the brew volume.

All the features are built into a stainless steel cabinet for long stability and durability. Newco, making you successful your way.



Dispenser not included

### Dispenser Options



# NEWCO

Corporate Offices  
1735 South River Rd  
St. Charles MO, 63303  
**Phone**  
800.325.7867  
636.925.1202  
**Fax**  
636.925.0029  
**Technical Services**  
800.556.3926  
**Internet**  
[www.newcocoffee.com](http://www.newcocoffee.com)

# ACE-D

Ready light indicates optimum brew temperature achieved

Blinking brew light alerts user that coffee is brewing

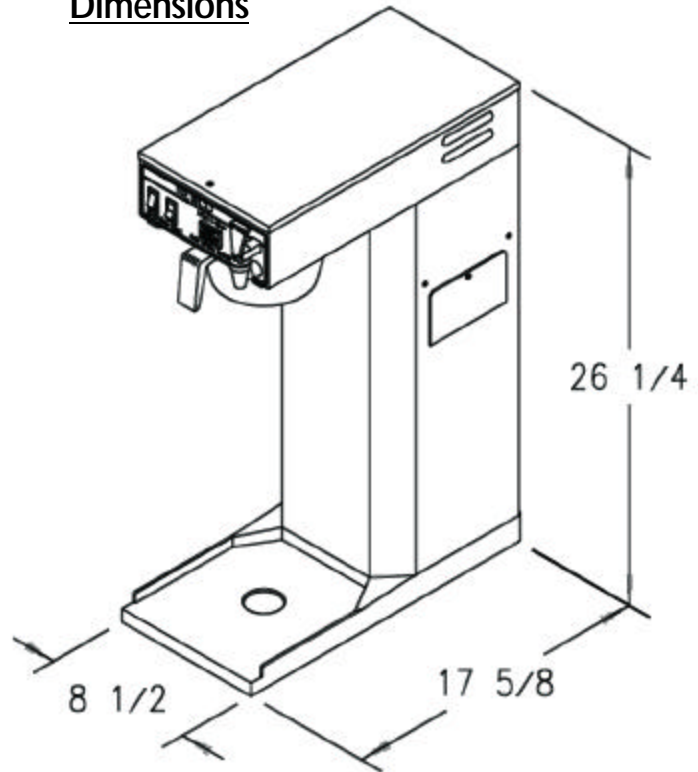
Universal base for perfect dispenser alignment

Gravity fed Hot Water Faucet for tea and soups

Tank "ON/OFF" switch

Pulse brewing option

## Dimensions



Base Model	Part Number	Volts	Amps		Tank Wattage		Cubic Feet	Ship Weight	Cord Attached
			USA/Can	USA/Can	USA/Can	USA/Can			
Ace TC-blk	102381-B	120	11.67	11.67	1400w	1400w	5.16	23 lbs	Yes
Ace LD-blk	102382-B	120	14.58	11.67	1750w	1400w	5.86	25 lbs	Yes
Ace AP-blk	102768-B	120	14.58	11.67	1750w	1400w	6.33	26 lbs	Yes
Ace D-blk	102876-B	120	14.58	11.67	1750w	1400w	7.27	27 lbs	Yes
Ace S-blk	102773-B	120	14.17	11.67	1700w	1400w	5.16	29 lbs	Yes
Ace LP-blk	102774-B	120	14.17	11.67	1700w	1400w	6.68	31 lbs	Yes

**Electrical:** 120V models are 2 wires plus ground service rated 120V, single phase, 60Hz. 120/240 V models are 3 wires plus ground service rated 120/240 V, single phase, 60Hz

**Plumbing:** Water line should be 20-90 PSI and have a minimum flow rate of 1.5 GPM. Mechanical connection on brewer is 1/4" male flare connector.

\*Cord not included on 240v models

Corporate Offices  
1735 South River Rd  
St. Charles MO, 63303

Phone  
800.325.7867  
636.925.1202

Fax  
636.925.0029  
Technical Services

Internet  
www.newcocoffee.com